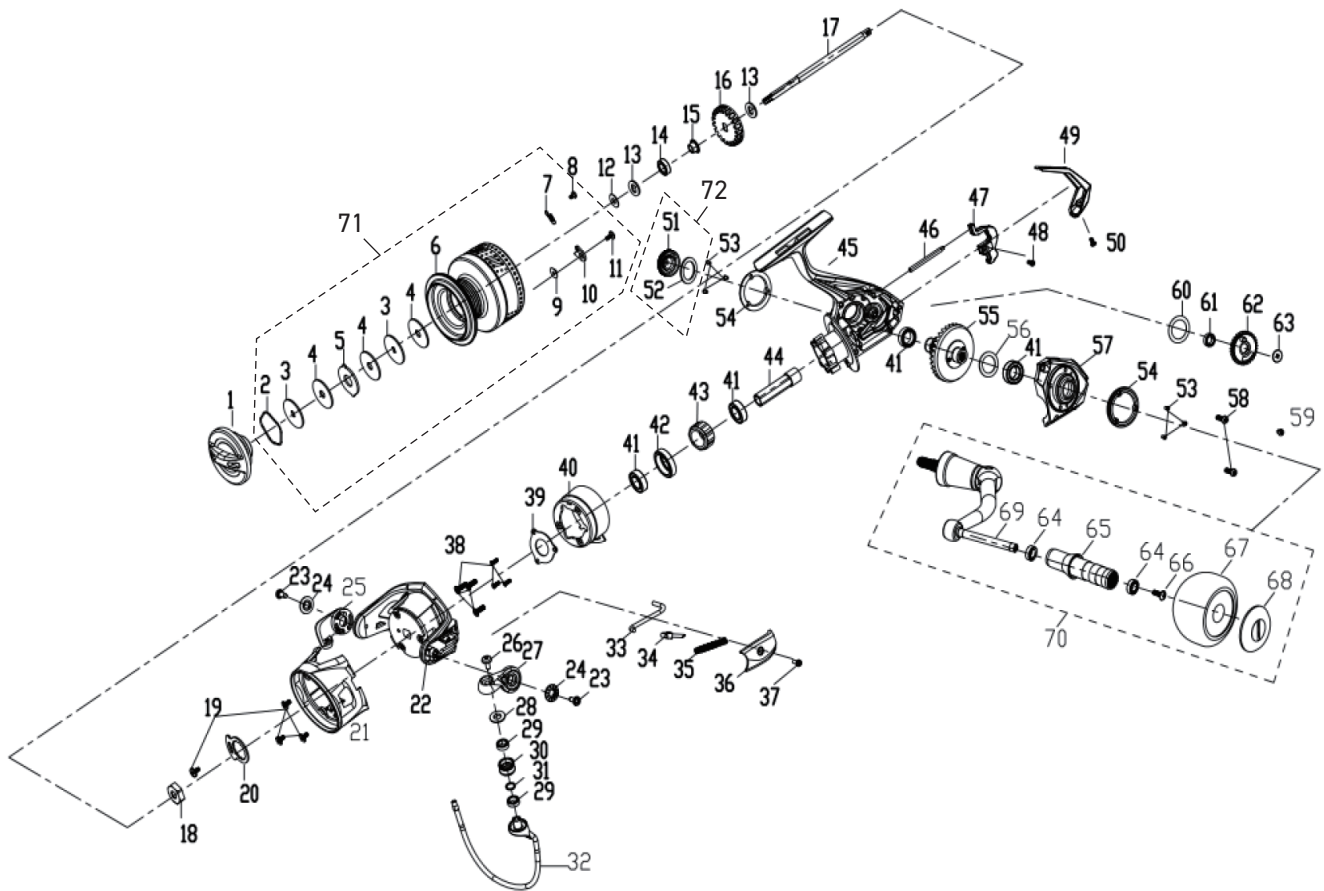
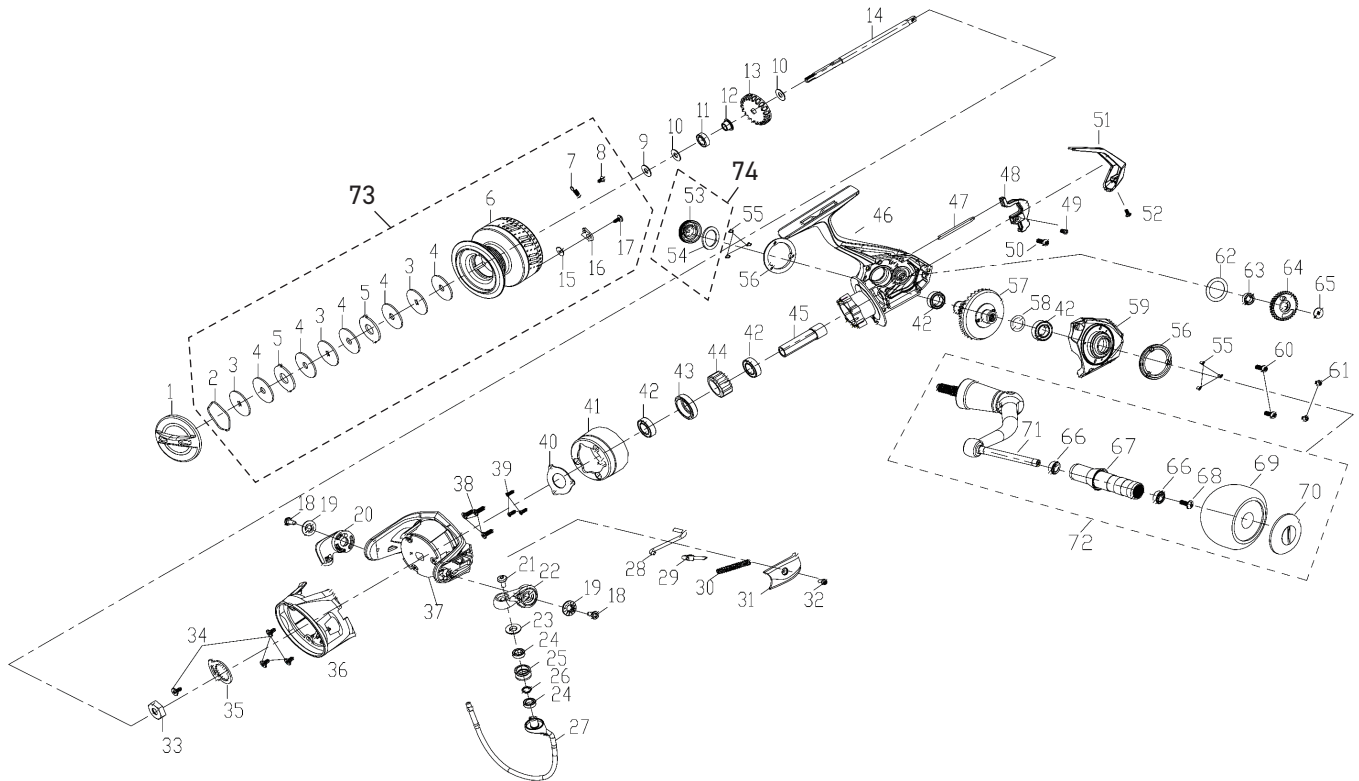


KEY NO	Parts Name	KEY NO	Parts Name	KEY NO	Parts Name
1	DRAG KNOB ASSEMBLY	25	BAIL HOLDER	49	REAR COVER
2	WASHER RETAINING RING	26	SCREW	50	SCREW
3	KEY WASHER	27	BAIL ARM	51	HANDLE CAP
4	DRAG WASHER	28	LINE ROLLER COLLAR	52	RUBBER
5	EARED WASHER	29	BALL BEARING	53	SCREW
6	SPOOL	30	LINE ROLLER	54	BODY DECORATION PLATE
7	SPRING	31	LINE ROLLER WASHER	55	MAIN GEAR
8	SCREW	32	BAIL ASSEMBLY	56	WASHER
9	RETAINER PLATE	33	KICK LEVER	57	BODY COVER
10	CLICK GEAR	34	ARM LEVER SHAFT	58	SCREW
11	SCREW	35	COMPRESSING SPRING	59	SCREW
12	SPOOL ADJUST WASHER	36	ARM LEVER CAP	60	WASHER
13	METAL WASHER	37	SCREW	61	BALL BEARING
14	SLEEVE	38	SCREW	62	OSCILLATION GEAR
15	SPOOL HOLDER	39	BAIL BEARING RETAINER	63	SCREW
16	CLICK WHEEL	40	BODY HEAD COVER	64	BUSHING
17	MAIN SHAFT	41	BALL BEARING	65	HANDLE KNOB SLEEVE
18	ROTOR NUT	42	BALL BEARING HOLDER	66	SCREW
19	SCREW	43	ONE WAY CLUTCH ASSEMBLY	67	HANDLE KNOB
20	RETAINER	44	PINION GEAR	68	HANDLE KNOB CAP
21	ROTOR DECORATE RING	45	BODY	69	HANDLE SET
22	ROTOR	46	SLIDER GUIDE BAR	70	TOTAL HANDLE SET
23	SCREW	47	SLIDER	71	SPOOL ASSEMBLY
24	SCREW CAP	48	SCREW	72	HANDLE CAP ASSEMBLY



KEY NO	Parts Name	KEY NO	Parts Name	KEY NO	Parts Name
1	DRAG KNOB ASSEMBLY	25	BAIL HOLDER	49	REAR COVER
2	WASHER RETAINING RING	26	SCREW	50	SCREW
3	KEY WASHER	27	BAIL ARM	51	HANDLE CAP
4	DRAG WASHER	28	LINE ROLLER COLLAR	52	RUBBER
5	EARED WASHER	29	BALL BEARING	53	SCREW
6	SPOOL	30	LINE ROLLER	54	BODY DECORATION PLATE
7	SPRING	31	LINE ROLLER WASHER	55	MAIN GEAR
8	SCREW	32	BAIL ASSEMBLY	56	WASHER
9	RETAINER PLATE	33	KICK LEVER	57	BODY COVER
10	CLICK GEAR	34	ARM LEVER SHAFT	58	SCREW
11	SCREW	35	COMPRESSING SPRING	59	SCREW
12	SPOOL ADJUST WASHER	36	ARM LEVER CAP	60	WASHER
13	METAL WASHER	37	SCREW	61	BALL BEARING
14	SLEEVE	38	SCREW	62	OSCILLATION GEAR
15	SPOOL HOLDER	39	BAIL BEARING RETAINER	63	SCREW
16	CLICK WHEEL	40	BODY HEAD COVER	64	BUSHING
17	MAIN SHAFT	41	BALL BEARING	65	HANDLE KNOB SLEEVE
18	ROTOR NUT	42	BALL BEARING HOLDER	66	SCREW
19	SCREW	43	ONE WAY CLUTCH ASSEMBLY	67	HANDLE KNOB
20	RETAINER	44	PINION GEAR	68	HANDLE KNOB CAP
21	ROTOR DECORATE RING	45	BODY	69	HANDLE SET
22	ROTOR	46	SLIDER GUIDE BAR	70	TOTAL HANDLE SET
23	SCREW	47	SLIDER	71	SPOOL ASSEMBLY
24	SCREW CAP	48	SCREW	72	HANDLE CAP ASSEMBLY



KEY NO	Parts Name	KEY NO	Parts Name	KEY NO	Parts Name
1	DRAG KNOB ASSEMBLY	26	LINE ROLLER WASHER	51	REAR COVER
2	WASHER RETAINING RING	27	BAIL ASSEMBLY	52	SCREW
3	KEY WASHER	28	KICK LEVER	53	HANDLE CAP
4	DRAG WASHER	29	ARM LEVER SHAFT	54	RUBBER
5	EARED WASHER	30	COMPRESSING SPRING	55	SCREW
6	SPOOL	31	ARM LEVER CAP	56	BODY DECORATION PLATE
7	SPRING	32	SCREW	57	MAIN GEAR
8	SCREW	33	ROTOR NUT	58	WASHER
9	SPOOL ADJUST WASHER	34	SCREW	59	BODY COVER
10	MAIN SHAFT WASHER	35	RETAINER	60	SCREW
11	PINION GEAR BUSHING	36	ROTOR DECORATE RING	61	SCREW
12	SPOOL HOLDER	37	ROTOR	62	WASHER
13	CLICK WHEEL	38	SCREW	63	BALL BEARING
14	MAIN SHAFT	39	SCREW	64	OSCILLATION GEAR
15	RETAINER PLATE	40	BALL BEARING RETAINER	65	SCREW
16	CLICK GEAR	41	BODY HEAD COVER	66	BUSHING
17	SCREW	42	BALL BEARING	67	HANDLE KNOB SLEEVE
18	SCREW	43	BALL BEARING HOLDER	68	SCREW
19	SCREW CAP	44	ONE WAY CLUTCH ASSEMBLY	69	HANDLE KNOB
20	BAIL HOLDER	45	PINION GEAR	70	HANDLE KNOB CAP
21	SCREW	46	BODY	71	HANDLE SET
22	BAIL ARM	47	SLIDER GUIDE BAR	72	TOTAL HANDLE SET
23	LINE ROLLER COLLAR	48	SLIDER	73	SPOOL ASSEMBLY
24	BALL BEARING	49	SCREW	74	HANDLE CAP ASSEMBLY
25	LINE ROLLER	50	SCREW		